

SPECIFICATION

1. MODEL NO: AD-1505000AU

2. DESIGNED NO: JM-5876

3. CONSTRUCTIONS:

- 3.1 SURFACE:DAMAGE.RUSTING.FOAM.NOT PERMITTED
- 3.2 SIZE:SHOW AS DRAWING
- 3.3 STRAIN-RELIEF TEST: 20 LBS FOR 60 SECONDS IN ANY DIRECTION

4. CHARACTERISTIC:

4.1 PRIMARY RATED VOLTAGE & LINE FREQUENCY: 120 VAC 60 Hz

4.2 SECONDARY RATED VOLTAGE:

RATED VOLTAGE	RATED CURRENT	TOLERANCE	NO LOAD VOLTAGE	INPUT VOLTAGE
15 VAC	5000 mA	+/- 5%		120 VAC

4.3 RIPPLE VOLTAGE: _____ V(Vp-p) AT _____ VAC _____ Hz LOAD _____ mA MAX

4.4 PRIMARY RATED CURRNT(Ip):INPUT PRIMARY _____ VAC _____ Hz _____ mA MAX LOAD _____ mA

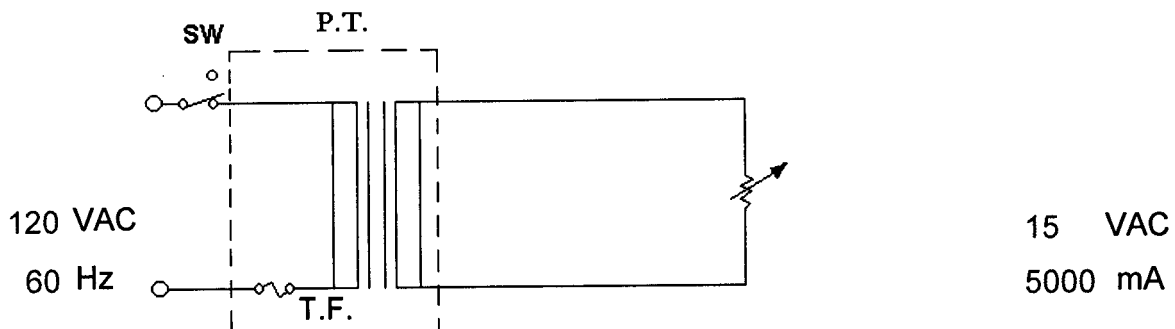
4.5 EXCITING CURRENT(Io):INPUT PRIMARY 120 VAC 60 HZ 200 mA MAX

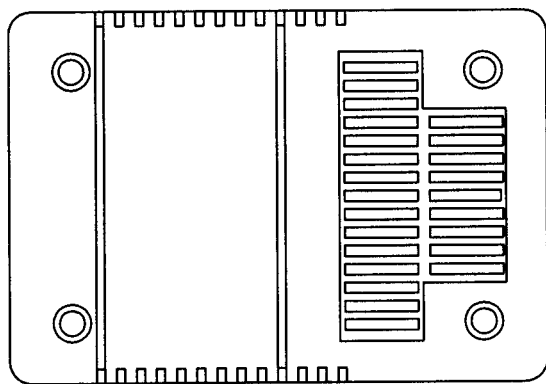
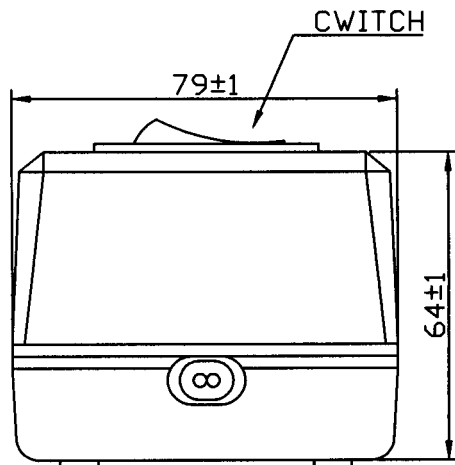
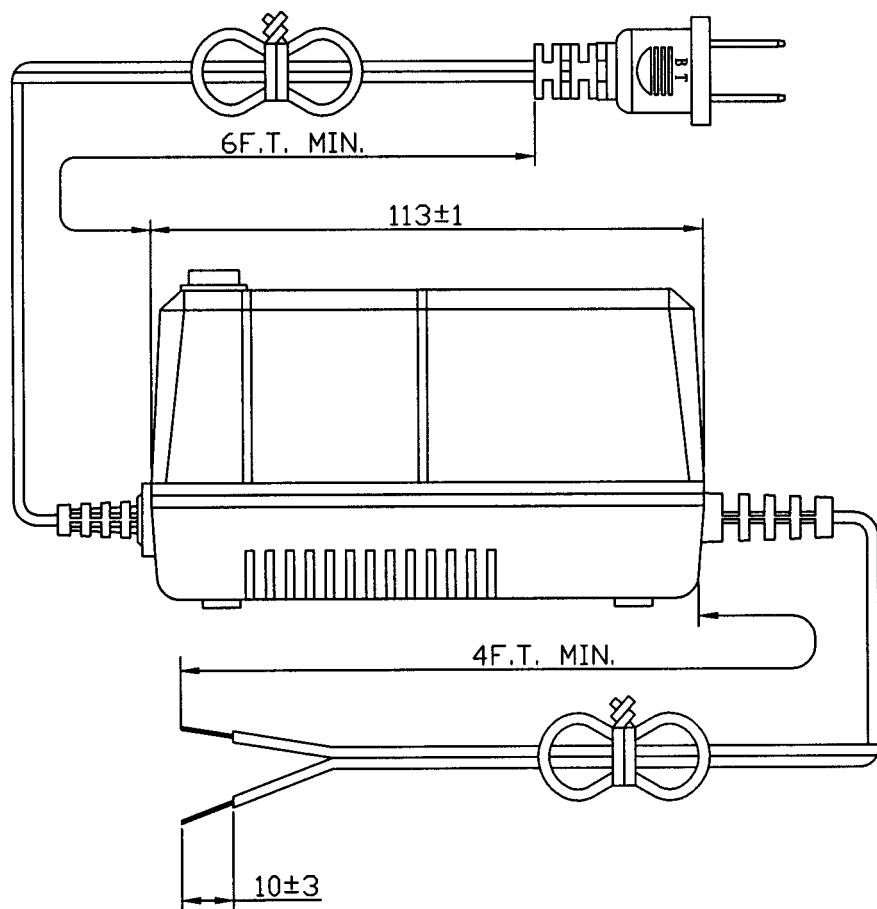
4.6 HI-POT TEST:SHALL WITHSTAND WITHOUT BREAK:(1) 1.24 KV 60 Hz FOR ONE MINUTE
 BETWEEN PRIMARY TO SECONDARY & CORE (2) 0.5 KV 60 Hz FOR ONE MINUTE
 BETWEEN SECONDARY TO CORE & SECONDARY.

4.7 INSULATION TEST: 500 VDC 100 MΩ MIN BETWEEN PRIMARY TO SECONDARY AND CORE.

4.8 TEMPERATURE RISE: 75°C MAX. WITH LOAD SHOW ON THE CIRCUIT

5.CIRCUIT:





材 質		單 位	m/m	比 例		品 名	CASE	圖 號	JM-5876
設 計	承 認								
F.L.CHANG	Andy								
								發行 2007年 11 月 21 日 初 版	